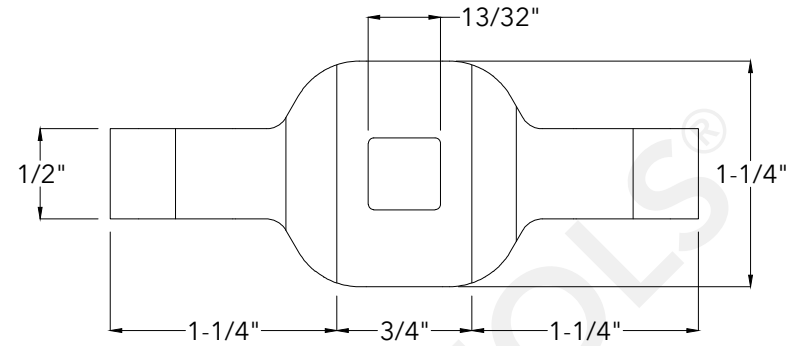
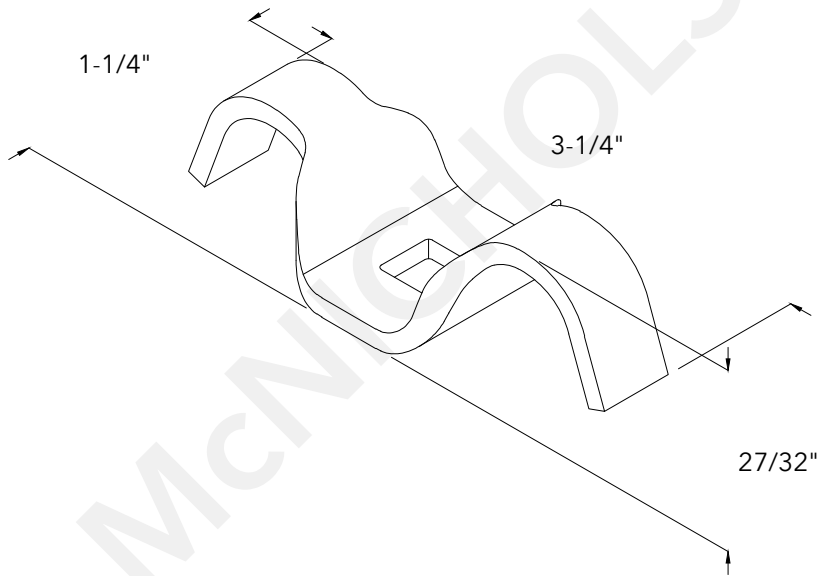
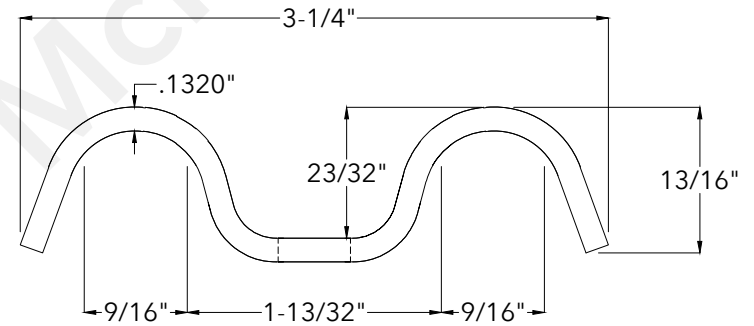


Clip Top View



Clip Side View



McNICHOLS

800.237.3820

mcnichols.com

Drawing is for visual and conceptual purposes, is not to scale, and is based on nominal manufacturing data subject to standard production tolerances. **McNICHOLS CO.** does not provide engineering services of any kind. Technical information provided is for evaluation by technically skilled persons only, with any use thereof to be at their independent discretion and risk. **McNICHOLS CO.** shall have no responsibility or liability for results obtained or damages resulting from improper evaluation or use. **McNICHOLS CO.** makes no representation or warranty of any kind, express or implied, at law or in equity, regarding drawing including with respect to merchantability, fitness for any particular use or purpose, or design. All other representations or warranties are hereby disclaimed. This document and other related documents are subject to **McNICHOLS CO.** Terms and Conditions.

McNICHOLS ACCESSORIES

ACCESSORY TYPE
PRIMARY MATERIAL
ACCESSORY PROFILE

COMPATIBLE WITH

Fastener
Galvanized Steel
H-BC-10 Hold-Down Clip, Punched with a Square Hole to Accept a No. 16 - 3/8" Diameter Carriage Bolt
Fits all GRIP STRUT® Heavy-Duty Plank Grating and all GRIP STRUT® Heavy-Duty Walkway Plank Grating

DRAWING

NOT TO SCALE

Item Number 20HBC-1098
Revision Date 12.21.2021
Page Number 1 of 1

© 2021 **McNICHOLS CO.**
All Rights Reserved.