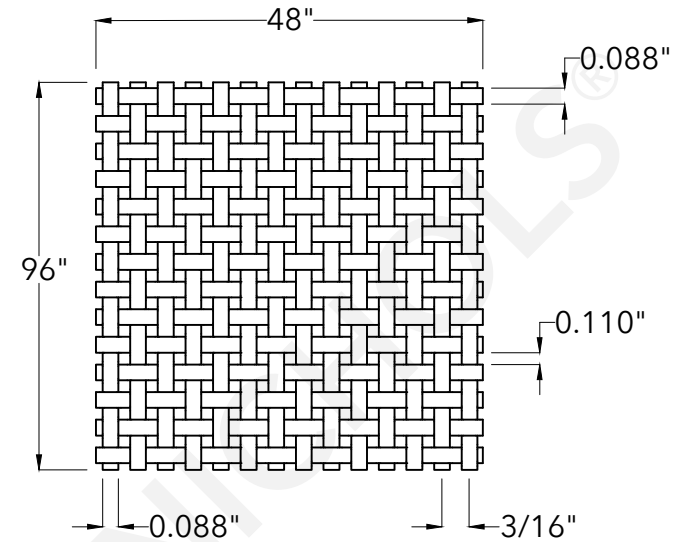


Top View



End View



800.237.3820
mcnichols.com

McNICHOLS® WIRE MESH

CONSTRUCTION TYPE	Designer Woven
SERIES NAME & NUMBER	ASHLAND™ 2015
WEAVE TYPE	Woven - Flat Wire Plain Weave
PRIMARY MATERIAL	Stainless Steel
PERCENT OPEN AREA	27%
WIRE DIAMETER PARALLEL TO LENGTH	0.088" Flat Wire
WIRE DIAMETER PARALLEL TO WIDTH	0.088" Flat Wire
A MAXIMUM LENGTH	96"
B MAXIMUM WIDTH	48"
C MAXIMUM OPENING	0.110"

DRAWING

NOT TO SCALE

Item Number 3120150048

Revision Date 02.07.2025

Page Number 1 of 1

© 2025 **McNICHOLS CO.**
All Rights Reserved.

Drawing is for visual and conceptual purposes, is not to scale, and is based on nominal manufacturing data subject to standard production tolerances. **McNICHOLS CO.** does not provide engineering services of any kind. Technical information provided is for evaluation by technically skilled persons only, with any use thereof to be at their independent discretion and risk. **McNICHOLS CO.** shall have no responsibility or liability for results obtained or damages resulting from improper evaluation or use. **McNICHOLS CO.** makes no representation or warranty of any kind, express or implied, at law or in equity, regarding drawing including with respect to merchantability, fitness for any particular use or purpose, or design. All other representations or warranties are hereby disclaimed. This document and other related documents are subject to **McNICHOLS CO.** Terms and Conditions.