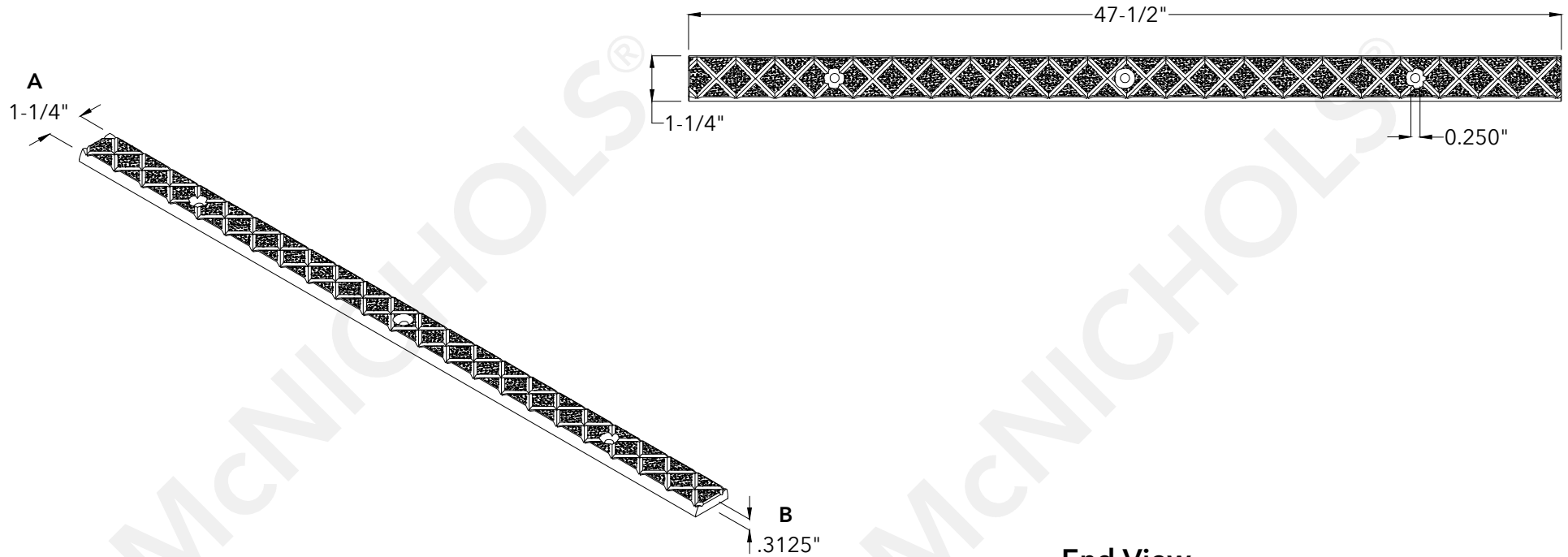
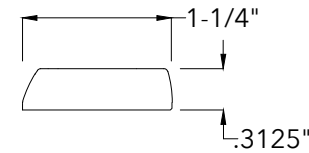


Top View



End View



McNICHOLS®

800.237.3820

mcnichols.com

Drawing is for visual and conceptual purposes, is not to scale, and is based on nominal manufacturing data subject to standard production tolerances. **McNICHOLS CO.** does not provide engineering services of any kind. Technical information provided is for evaluation by technically skilled persons only, with any use thereof to be at their independent discretion and risk. **McNICHOLS CO.** shall have no responsibility or liability for results obtained or damages resulting from improper evaluation or use. **McNICHOLS CO.** makes no representation or warranty of any kind, express or implied, at law or in equity, regarding drawing including with respect to merchantability, fitness for any particular use or purpose, or design. All other representations or warranties are hereby disclaimed. This document and other related documents are subject to **McNICHOLS CO.** Terms and Conditions.

McNICHOLS® ACCESSORIES

PRODUCT LINE	Accessories
ACCESSORY TYPE	Nosing
PRIMARY MATERIAL	Aluminum
ACCESSORY PROFILE	Cast Abrasive Nosing (1-1/4" Width), Punched with Counter-Sunk 0.250" Diameter Holes for Mounting Abrasive Nosing Strip Mechanically (Hardware Available Separately) to Leading Edge of Stair Tread
COMPATIBLE WITH	Used with Alum., Carbon, and Galv. Steel Bar Grating Stair Treads and Carbon, and Galv. Steel GRIP STRUT® Stair Tread Plank Grating with a 1-1/4" Wide Shelf
A WIDTH	1-1/4"
B THICKNESS	.3125" Thick (5/16" Thick)

DRAWING

NOT TO SCALE

Item Number 6000144423

Revision Date 01.19.2022

Page Number 1 of 1

© 2022 **McNICHOLS CO.**
All Rights Reserved.