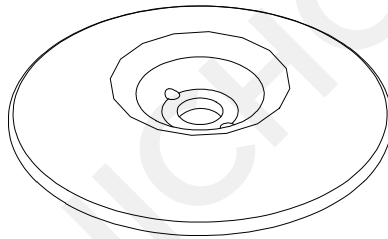
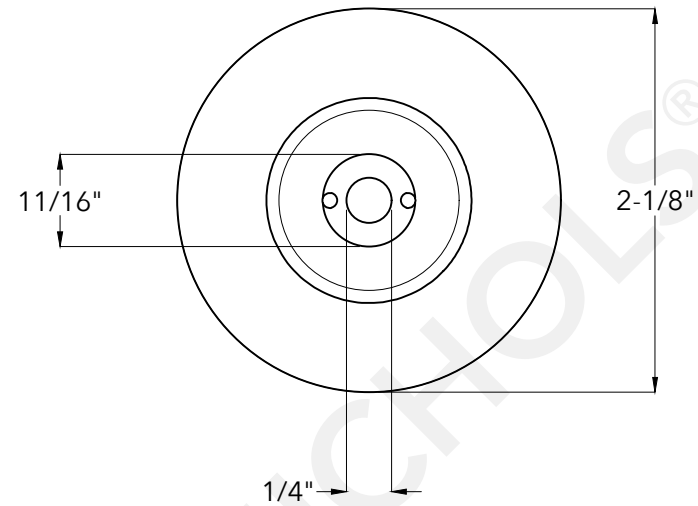
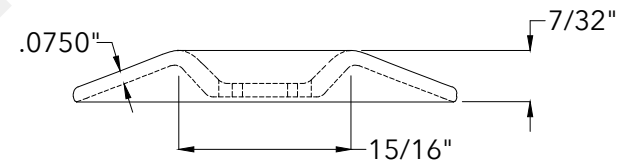


Clip Top View



Clip End View



McNICHOLS[®]

800.237.3820

mcnichols.com

Drawing is for visual and conceptual purposes, is not to scale, and is based on nominal manufacturing data subject to standard production tolerances. **McNICHOLS CO.** does not provide engineering services of any kind. Technical information provided is for evaluation by technically skilled persons only, with any use thereof to be at their independent discretion and risk. **McNICHOLS CO.** shall have no responsibility or liability for results obtained or damages resulting from improper evaluation or use. **McNICHOLS CO.** makes no representation or warranty of any kind, express or implied, at law or in equity, regarding drawing including with respect to merchantability, fitness for any particular use or purpose, or design. All other representations or warranties are hereby disclaimed. This document and other related documents are subject to **McNICHOLS CO.** Terms and Conditions.

McNICHOLS[®] ACCESSORIES

ACCESSORY TYPE
PRIMARY MATERIAL
ACCESSORY PROFILE

Fasteners
Galvanized Steel
Type GTR - Hold-Down Clip (2-1/8" Diameter), Punched with a 1/4" Round Hole
Fits Pultruded Fiberglass Grating I-Bar Bearing Bars and Aluminum and Steel Bar Grating Rectangular Bearing Bars with a Minimum 1/4" Spacing Between Bearing Bars

COMPATIBLE WITH

DRAWING

NOT TO SCALE

Item Number 60GTR99999

Revision Date 09.20.2022

Page Number 1 of 1

© 2022 **McNICHOLS CO.**
All Rights Reserved.