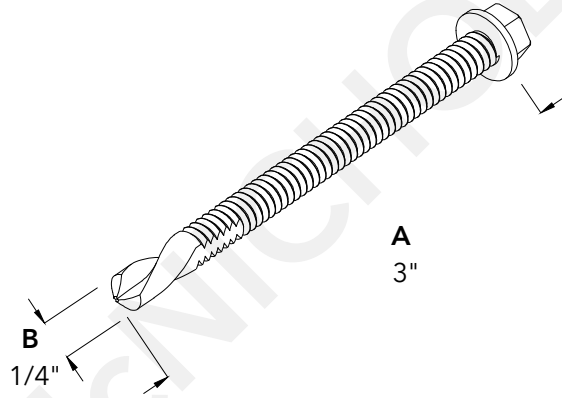
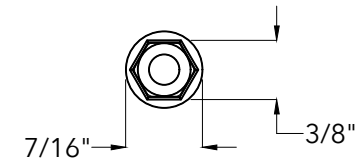
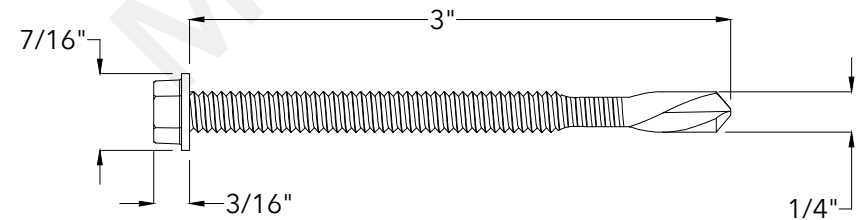




Screw Top View



Screw Side View



800.237.3820
mcnichols.com

McNICHOLS® ACCESSORIES

PRODUCT LINE
ACCESSORY TYPE
PRIMARY MATERIAL
ACCESSORY PROFILE

Accessories
Hardware
Galvanized Steel-Epoxy Coated
No. 1/4"-28 Self-Drilling Hex Screw, Drill point #5
(1/4" Diameter x 2" Length)
3"
1/4"

A LENGTH
B DIAMETER

DRAWING

NOT TO SCALE

Item Number 60TEK539
Revision Date 08.13.2024
Page Number 1 of 1

© 2024 McNICHOLS CO.
All Rights Reserved.

Drawing is for visual and conceptual purposes, is not to scale, and is based on nominal manufacturing data subject to standard production tolerances. McNICHOLS CO. does not provide engineering services of any kind. Technical information provided is for evaluation by technically skilled persons only, with any use thereof to be at their independent discretion and risk. McNICHOLS CO. shall have no responsibility or liability for results obtained or damages resulting from improper evaluation or use. McNICHOLS CO. makes no representation or warranty of any kind, express or implied, at law or in equity, regarding drawing including with respect to merchantability, fitness for any particular use or purpose, or design. All other representations or warranties are hereby disclaimed. This document and other related documents are subject to McNICHOLS CO. Terms and Conditions.