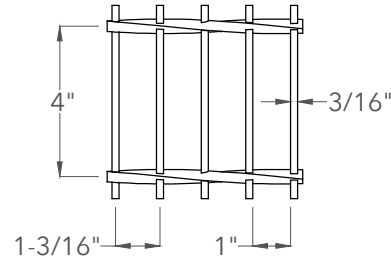
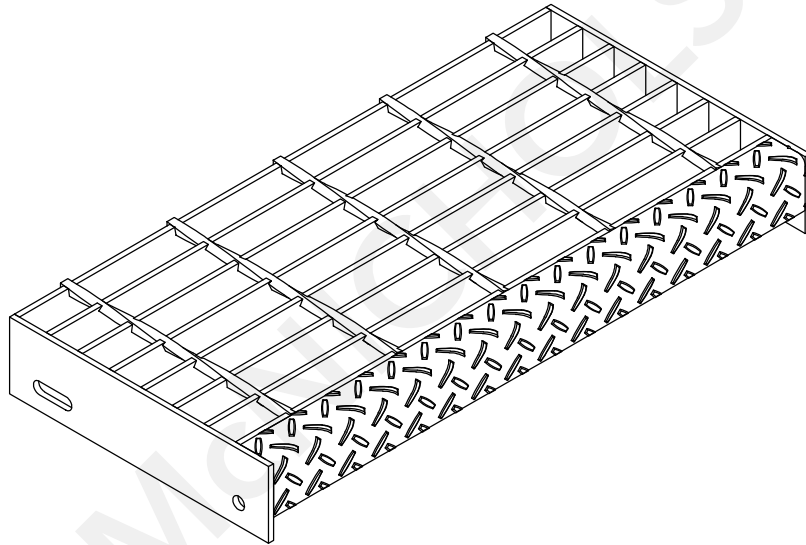


Bar Grating

Top View

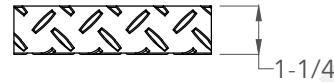


End View



Nosing

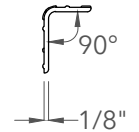
Top View



Front View

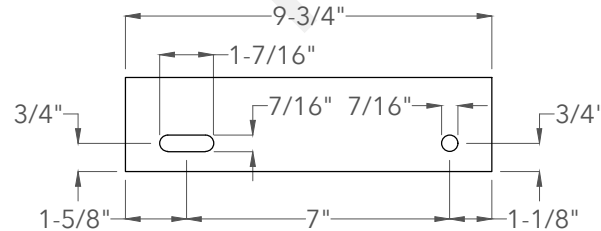


End View

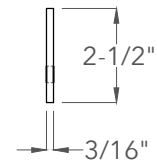


Carrier Plate

Side View



End View



McNICHOLS

800.237.3820

mcnichols.com

Drawing is for visual and conceptual purposes, is not to scale, and is based on nominal manufacturing data subject to standard production tolerances. McNICHOLS CO. does not provide engineering services of any kind. Technical information provided is for evaluation by technically skilled persons only, with any use thereof to be at their independent discretion and risk. McNICHOLS CO. shall have no responsibility or liability for results obtained or damages resulting from improper evaluation or use. McNICHOLS CO. makes no representation or warranty of any kind, express or implied, at law or in equity, regarding drawing including with respect to merchantability, fitness for any particular use or purpose, or design. All other representations or warranties are hereby disclaimed. This document and other related documents are subject to McNICHOLS CO. Terms and Conditions.

McNICHOLS® STAIR TREADS

MAIN PRODUCT LINE
 SERIES TYPE & NAME
 PRODUCT SPACING
 PRIMARY MATERIAL
 BEARING BAR SIZE & SHAPE
 BEARING BAR SPACING
 CROSS BAR SPACING
 PRODUCT SURFACE
 NOSING
 CARRIER PLATE

Bar Grating
 Bar - GW-100 (Standard-Duty Welded)
 19-W-4
 Galvanized Steel
 1" Height x 3/16" Thick Rectangular Bar
 1-3/16" on Center
 4" on Center
 Smooth
 Checkered Plate 90° Angle Nosing (1-1/4" Leg x 1-3/4" Leg)
 CP-BG-925 Bar Grating Stair Tread Carrier Plates - Pair
 (2-1/2" Height x 9-3/4" Width)

DRAWING

NOT TO SCALE

Item Number 640131T103

Revision Date 03.15.2022

Page Number 1 of 1

© 2022 McNICHOLS CO.
 All Rights Reserved.