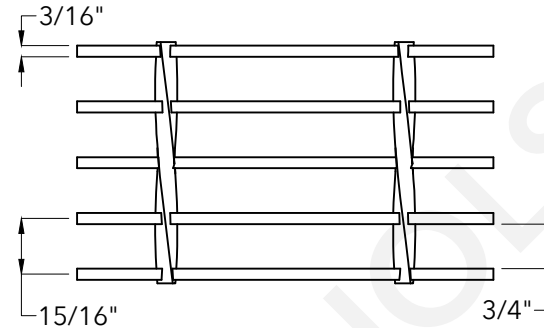
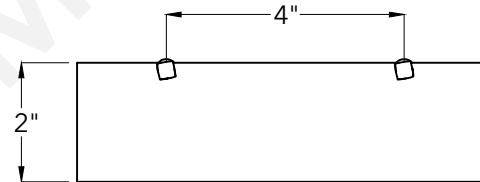


Top View



End View



800.237.3820
mcnichols.com

McNICHOLS® BAR GRATING

DRAWING

Drawing is for visual and conceptual purposes, is not to scale, and is based on nominal manufacturing data subject to standard production tolerances. **McNICHOLS CO.** does not provide engineering services of any kind. Technical information provided is for evaluation by technically skilled persons only, with any use thereof to be at their independent discretion and risk. **McNICHOLS CO.** shall have no responsibility or liability for results obtained or damages resulting from improper evaluation or use. **McNICHOLS CO.** makes no representation or warranty of any kind, express or implied, at law or in equity, regarding drawing including with respect to merchantability, fitness for any particular use or purpose, or design. All other representations or warranties are hereby disclaimed. This document and other related documents are subject to **McNICHOLS CO.** Terms and Conditions.

CONSTRUCTION TYPE	Standard-Duty Welded
SERIES TYPE & NAME	SGW-200
PRODUCT SPACING	15-W-4
PRIMARY MATERIAL	Carbon Steel
BB SHAPE	Rectangular Bar
PRODUCT SURFACE	Smooth
PERCENT OPEN AREA	70%
A BB HEIGHT	2"
B BB THICKNESS	3/16"
C BB SPACING	15/16" on Center
D CLEAR SPACE BTW BB	3/4"
E CROSS BAR SPACING	4" on Center

NOT TO SCALE

Item Number 66203105
Revision Date 10.07.2025
Page Number 1 of 1

© 2025 **McNICHOLS CO.**
All Rights Reserved.