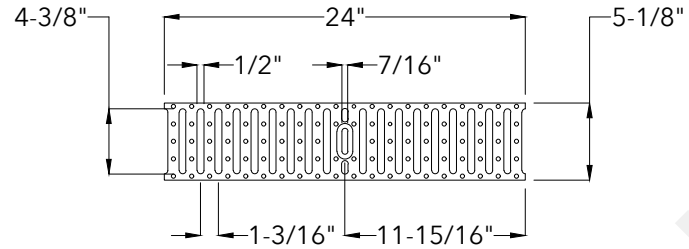
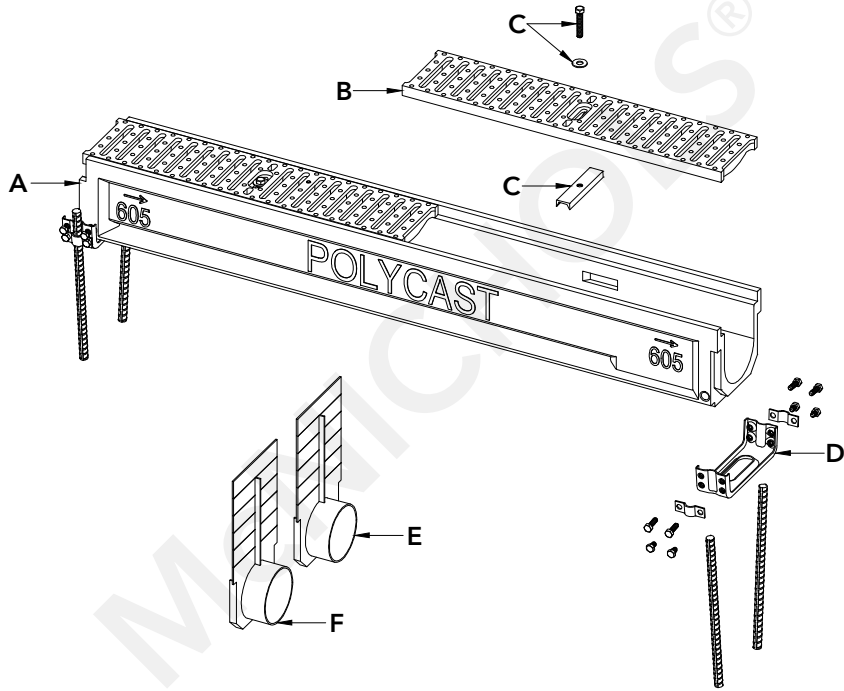
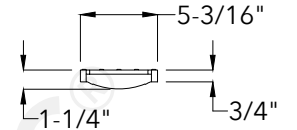


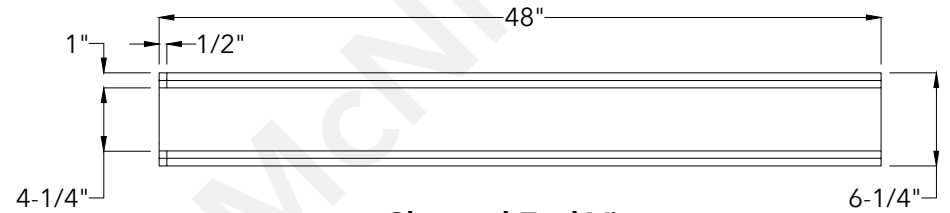
Grate Top View



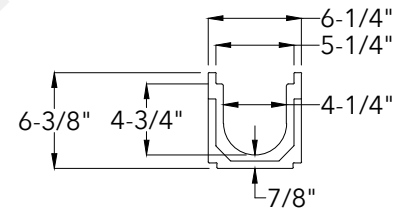
Grate End View



Channel Top View



Channel End View



McNICHOLS®

800.237.3820

mcnichols.com

Drawing is for visual and conceptual purposes, is not to scale, and is based on nominal manufacturing data subject to standard production tolerances. **McNICHOLS CO.** does not provide engineering services of any kind. Technical information provided is for evaluation by technically skilled persons only, with any use thereof to be at their independent discretion and risk. **McNICHOLS CO.** shall have no responsibility or liability for results obtained or damages resulting from improper evaluation or use. **McNICHOLS CO.** makes no representation or warranty of any kind, express or implied, at law or in equity, regarding drawing including with respect to merchantability, fitness for any particular use or purpose, or design. All other representations or warranties are hereby disclaimed. This document and other related documents are subject to **McNICHOLS CO.** Terms and Conditions.

McNICHOLS® TRENCH DRAIN

KIT TYPE	System
KIT NAME & SERIES NUMBER	POLYCAST® Series 600
PRIMARY MATERIAL	Polymer Concrete
KIT ITEM & LENGTH	Kit 1 - 20-Linear Feet
A PRESLOPED CHANNEL SECTIONS	5
B ROUND-END SLOTTED SURFACE GRATES	10
C GRATE LOCKING DEVICES	11
D INSTALLATION ALIGNMENT CHAIRS	7
E INLET END CAP	1
F OUTLET END CAP	1

DRAWING

NOT TO SCALE

Item Number F3PC188820

Revision Date 02.08.2022

Page Number 1 of 1

© 2022 **McNICHOLS CO.**
All Rights Reserved.