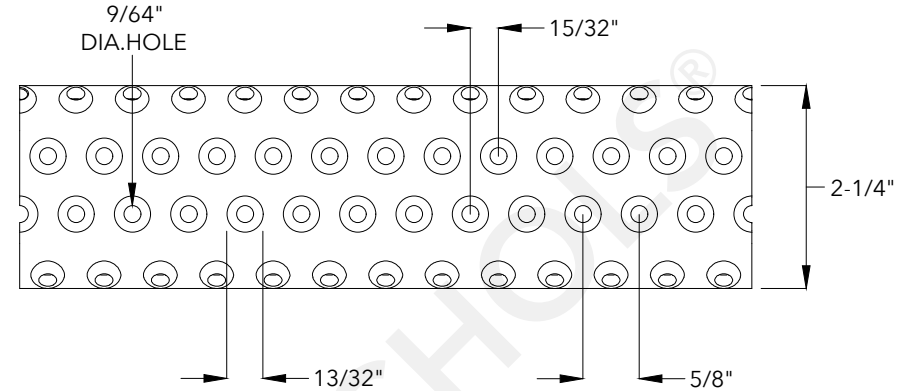
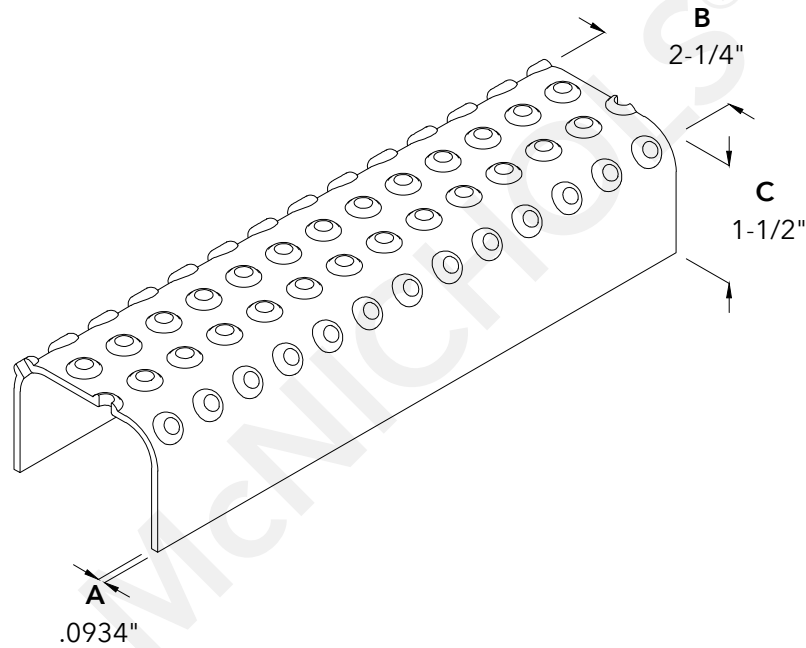
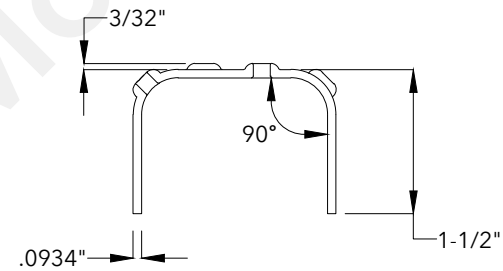




TOP VIEW



END VIEW



800.237.3820
mcnichols.com

McNICHOLS® PLANK GRATING

CONSTRUCTION TYPE	Ladder Rung Plank
SERIES NAME	TRACTION TREAD™
PRIMARY MATERIAL	Galvanized Steel
SURFACE PROFILE	4-Row Button-Top (2-1/4" Wide)
PERCENT OPEN AREA	4%
A GAUGE/THICKNESS	13 Gauge (.0934" Thick)
B SURFACE WIDTH	2-1/4"
C CHANNEL DEPTH	1-1/2"

DRAWING

NOT TO SCALE

Item Number M3LRST4460

Revision Date 12.01.2022

Page Number 1 of 1

© 2022 **McNICHOLS CO.**
All Rights Reserved.

Drawing is for visual and conceptual purposes, is not to scale, and is based on nominal manufacturing data subject to standard production tolerances. **McNICHOLS CO.** does not provide engineering services of any kind. Technical information provided is for evaluation by technically skilled persons only, with any use thereof to be at their independent discretion and risk. **McNICHOLS CO.** shall have no responsibility or liability for results obtained or damages resulting from improper evaluation or use. **McNICHOLS CO.** makes no representation or warranty of any kind, express or implied, at law or in equity, regarding drawing including with respect to merchantability, fitness for any particular use or purpose, or design. All other representations or warranties are hereby disclaimed. This document and other related documents are subject to **McNICHOLS CO.** Terms and Conditions.