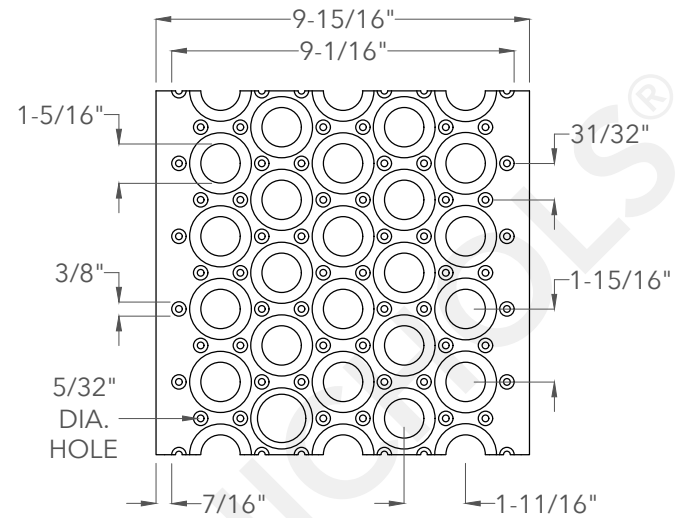
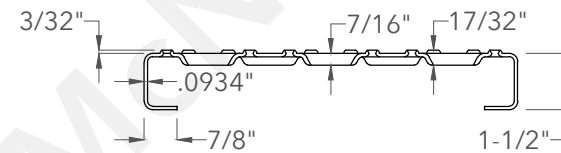


Plank Grating

Top View

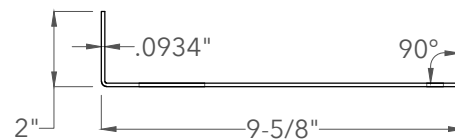


End View

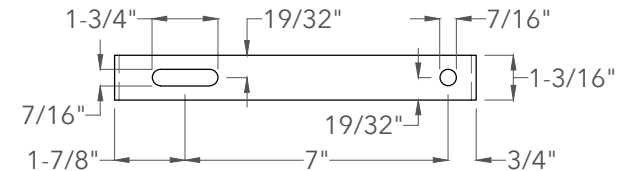


Carrier Plate

Top View



End View



McNICHOLS®

800.237.3820

mcnichols.com

Drawing is for visual and conceptual purposes, is not to scale, and is based on nominal manufacturing data subject to standard production tolerances. McNICHOLS CO. does not provide engineering services of any kind. Technical information provided is for evaluation by technically skilled persons only, with any use thereof to be at their independent discretion and risk. McNICHOLS CO. shall have no responsibility or liability for results obtained or damages resulting from improper evaluation or use. McNICHOLS CO. makes no representation or warranty of any kind, express or implied, at law or in equity, regarding drawing including with respect to merchantability, fitness for any particular use or purpose, or design. All other representations or warranties are hereby disclaimed. This document and other related documents are subject to McNICHOLS CO. Terms and Conditions.

McNICHOLS® STAIR TREADS

MAIN PRODUCT LINE
SERIES TYPE & NAME
PRIMARY MATERIAL
GAUGE/THICKNESS
SURFACE PROFILE
SURFACE WIDTH
CHANNEL DEPTH
PRODUCT SURFACE
PERCENT OPEN AREA
CARRIER PLATE

Plank Grating
Plank - PERF-O GRIP®
Galvanized Steel
13 Gauge (.0934" Thick)
5-Hole (10" Width) PERF-O GRIP® Plank
10"
1-1/2"
Slip-Resistant
35%
CP-PG-1015 Plank Grating Stair Tread Carrier Plates - Pair
(1-3/16" Height x 9-5/8" Width)

DRAWING

NOT TO SCALE

Item Number M4T0151336

Revision Date 03.16.2022

Page Number 1 of 1

© 2022 McNICHOLS CO.
All Rights Reserved.