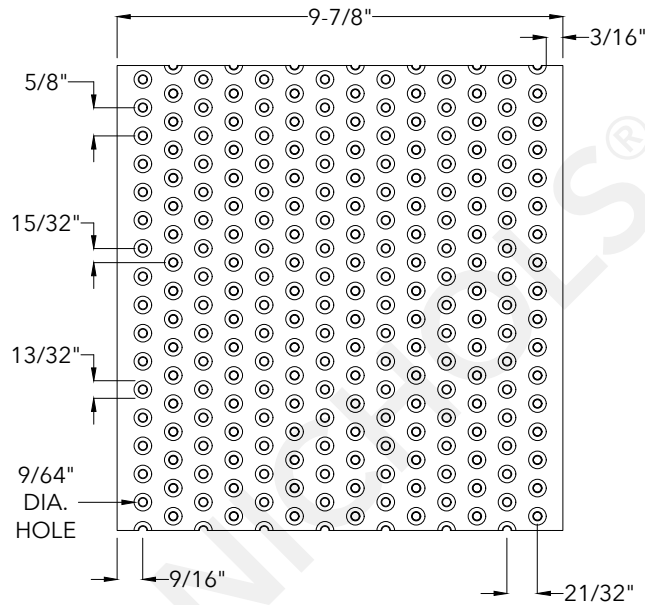
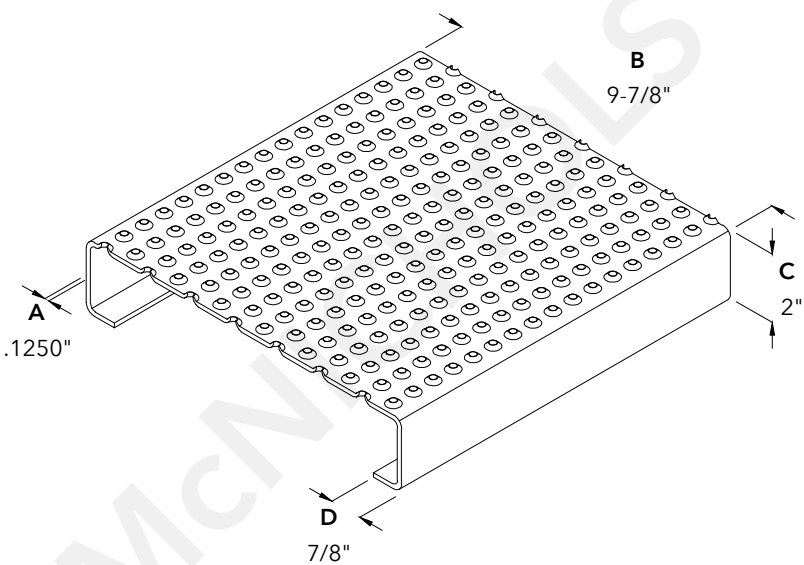
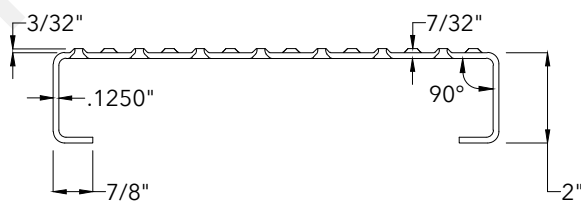


Top View



End View



McNICHOLS[®]
800.237.3820 mcnichols.com

Drawing is for visual and conceptual purposes, is not to scale, and is based on nominal manufacturing data subject to standard production tolerances. **McNICHOLS CO.** does not provide engineering services of any kind. Technical information provided is for evaluation by technically skilled persons only, with any use thereof to be at their independent discretion and risk. **McNICHOLS CO.** shall have no responsibility or liability for results obtained or damages resulting from improper evaluation or use. **McNICHOLS CO.** makes no representation or warranty of any kind, express or implied, at law or in equity, regarding drawing including with respect to merchantability, fitness for any particular use or purpose, or design. All other representations or warranties are hereby disclaimed. This document and other related documents are subject to **McNICHOLS CO.** Terms and Conditions.

McNICHOLS[®] PLANK GRATING

CONSTRUCTION TYPE	Plank
SERIES NAME	TRACTION TREAD™
PRIMARY MATERIAL	Aluminum
SURFACE PROFILE	Button-Top
PERCENT OPEN AREA	4%
A GAUGE/THICKNESS	.1250" Thick (8 Gauge)
B SURFACE WIDTH	10" (9-7/8" Actual)
C CHANNEL DEPTH	2"
D CHANNEL FLANGE WIDTH	7/8"

DRAWING

NOT TO SCALE

Item Number M5G02012
Revision Date 04.02.2021
Page Number 1 of 1

© 2021 **McNICHOLS CO.**
All Rights Reserved.

ADA COMPLIANT PRODUCT WHEN INSTALLED USING MULTIPLE PIECES TO WIDTH REGARDLESS OF THE DIRECTION OF TRAVEL