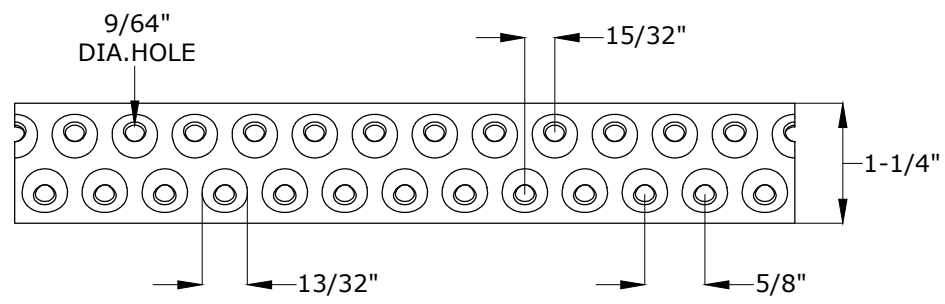
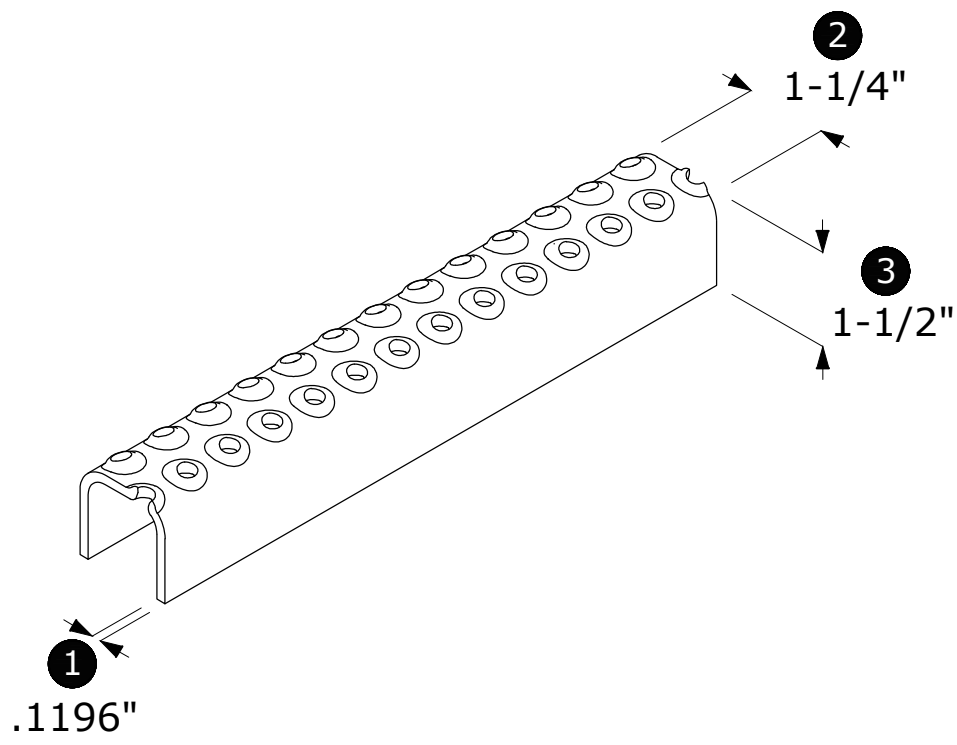
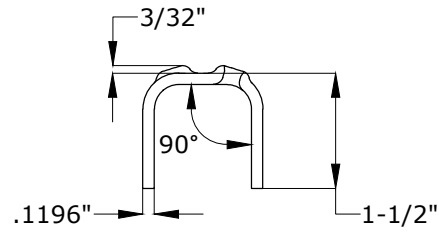


**TOP VIEW**



**END VIEW**



**McNICHOLS CO.**



McNICHOLS CO. has based these drawings on the data provided by you, and they are intended solely for visual and conceptual information purposes as part of the order process. ANY USE OF THESE DRAWINGS (INCLUDING DESIGN AND DIMENSIONS) MUST BE CHECKED BY YOUR ENGINEER TO DETERMINE WHETHER THE DRAWINGS (INCLUDING DESIGN AND DIMENSIONS) ARE ADEQUATE FOR THE INTENDED USE. McNICHOLS CO. makes no representation or warranty (express or implied) regarding such drawings and expressly disclaims all implied warranties regarding them including but not limited to any implied warranties of merchantability of fitness for a particular purpose. McNICHOLS CO. will in no event be liable for your use or the results of your use of these drawings, and you assume all risk and liability for any losses, damage, claims or expenses resulting from such use.

**McNICHOLS® PLANK GRATING**

CONSTRUCTION TYPE: Ladder Rung Plank  
 SERIES NAME: TRACTION TREAD™  
 PRIMARY MATERIAL: Carbon Steel  
 SURFACE PROFILE: Button-Top (1-1/4" Width)  
 PERCENT OPEN AREA: 2%  
 ① GAUGE/THICKNESS: 11 Gauge (.1196" Thick)  
 ② SURFACE WIDTH: 1-1/4"  
 ③ CHANNEL DEPTH: 1-1/2"

**APPROVAL**

JOB NAME:  
 DATE:  
 COMPANY:  
 NAME:  
 TITLE:  
 SIGNATURE:  
 \_\_\_\_\_

**DRAWING INFORMATION**

|                 |          |
|-----------------|----------|
| NOT TO SCALE    |          |
| DWG NUMBER      | REVISION |
| <b>M6LRST24</b> | <b>A</b> |

*Inspired to Serve!*  
 ©McNICHOLS CO. 2020