

McNICHOLS CO.



800.237.3820 mcnichols.com

McNICHOLS CO. has based these drawings on the data provided by you, and they are intended solely for visual and conceptual information purposes as part of the order process. ANY USE OF THESE DRAWINGS (INCLUDING DESIGN AND DIMENSIONS) MUST BE CHECKED BY YOUR ENGINEER TO DETERMINE WHETHER THE DRAWINGS (INCLUDING DESIGN AND DIMENSIONS) ARE ADEQUATE FOR THE INTENDED USE. McNICHOLS CO. makes no representation or warranty (express or implied) regarding such drawings and expressly disclaims all implied warranties regarding them including but not limited to any implied warranties of merchantability of fitness for a particular purpose. McNICHOLS CO. will in no event be liable for your use or the results of your use of these drawings, and you assume all risk and liability for any losses, damage, claims or expenses resulting from such use.

McNICHOLS® PLANK GRATING

CONSTRUCTION TYPE: Extruded Interlocking Plank
 SERIES NAME: DIAMONDBACK®
 PRIMARY MATERIAL: Aluminum
 SURFACE PROFILE: Diamond-Vented (6" Width)
 PRODUCT SURFACE: Diamond-Serrated
 PERCENT OPEN AREA: 12%
 ① SURFACE WIDTH: 6"
 ② CHANNEL DEPTH: 1"
 ③ INTERLOCK SLOT HEIGHT: 1/2"

APPROVAL

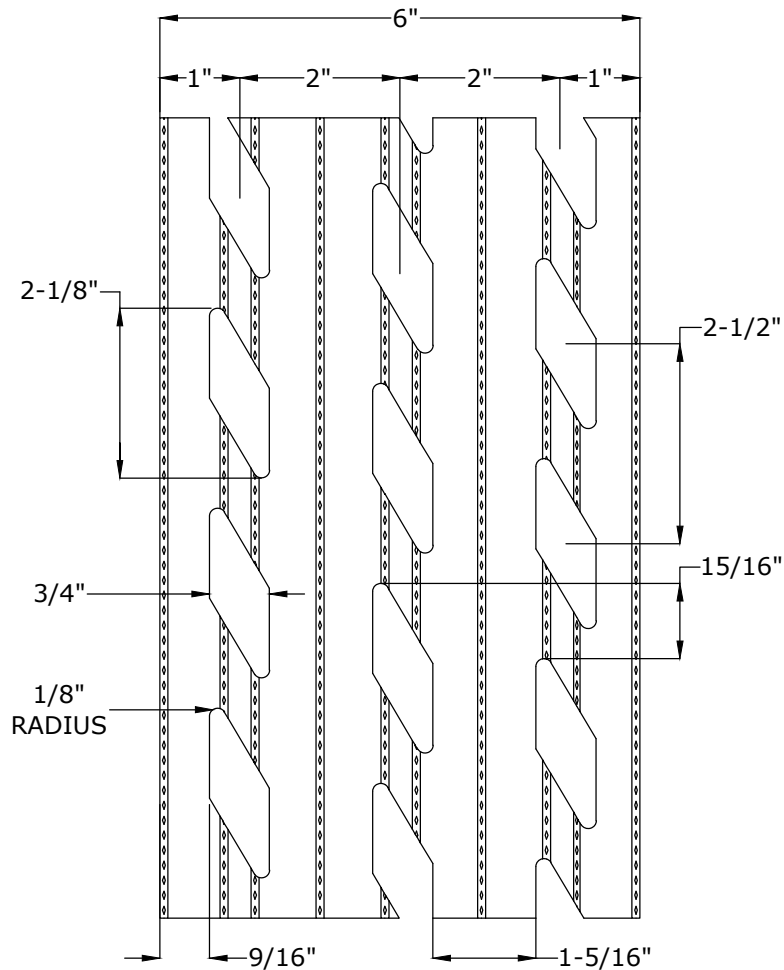
JOB NAME:
 DATE:
 COMPANY:
 NAME:
 TITLE:
 SIGNATURE:

DRAWING INFORMATION

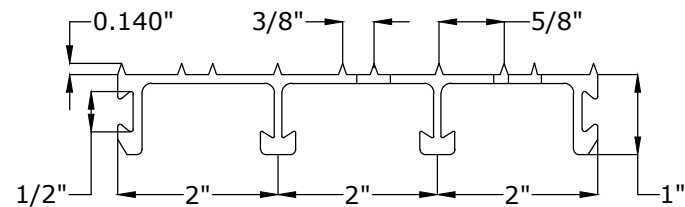
NOT TO SCALE	
DWG NUMBER	REVISION
T7061002	A

Inspired to Serve!
 ©McNICHOLS CO. 2020

TOP VIEW



END VIEW



McNICHOLS CO.



McNICHOLS CO. has based these drawings on the data provided by you, and they are intended solely for visual and conceptual information purposes as part of the order process. ANY USE OF THESE DRAWINGS (INCLUDING DESIGN AND DIMENSIONS) MUST BE CHECKED BY YOUR ENGINEER TO DETERMINE WHETHER THE DRAWINGS (INCLUDING DESIGN AND DIMENSIONS) ARE ADEQUATE FOR THE INTENDED USE. McNICHOLS CO. makes no representation or warranty (express or implied) regarding such drawings and expressly disclaims all implied warranties regarding them including but not limited to any implied warranties of merchantability of fitness for a particular purpose. McNICHOLS CO. will in no event be liable for your use or the results of your use of these drawings, and you assume all risk and liability for any losses, damage, claims or expenses resulting from such use.

McNICHOLS® PLANK GRATING

CONSTRUCTION TYPE: Extruded Interlocking Plank
 SERIES NAME: DIAMONDBACK®
 PRIMARY MATERIAL: Aluminum
 SURFACE PROFILE: Diamond-Vented (6" Width)
 PRODUCT SURFACE: Diamond-Serrated
 PERCENT OPEN AREA: 12%
 ① SURFACE WIDTH: 6"
 ② CHANNEL DEPTH: 1"
 ③ INTERLOCK SLOT HEIGHT: 1/2"

APPROVAL

JOB NAME:
 DATE:
 COMPANY:
 NAME:
 TITLE:
 SIGNATURE:

DRAWING INFORMATION

NOT TO SCALE	
DWG NUMBER	REVISION
T7061002	A

Inspired to Serve!
 ©McNICHOLS CO. 2020